
CERTEST

Campylobacter

ONE STEP *Campylobacter* CARD
TEST

CERTEST BIOTEC S.L.





CERTEST *Campylobacter*

One Step test to detect *Campylobacter* in card format/
Prueba de un solo paso para detección de *Campylobacter* en formato cassette

ENGLISH

INTENDED USE

CerTest *Campylobacter* one step card test is a coloured chromatographic immunoassay for the qualitative detection of *Campylobacter* in stool samples and *Campylobacter* suspected colonies in stool culture.

CerTest *Campylobacter* card test offers a simple and a highly screening assay to make a presumptive diagnosis of *Campylobacter* infection (campylobacteriosis) and it could be used to identify of suspected isolates of *Campylobacter* from selective media (stool culture).

INTRODUCTION

Campylobacteriosis is the disease caused by the presence of *Campylobacter spp.* The common routes of transmission are faecal-oral, person-to-person sexual contact, ingestion of contaminated food or water, and the eating of raw meat. The onset of disease symptoms usually occurs two to five days after infection, but can range from one to ten days.

There are 16 species and 6 subspecies assigned to the genus *Campylobacter*, of which the most frequently reported in human disease are *C. jejuni* (subspecies *jejuni*) and *C. coli* (99% *C. jejuni*). *C. laridis* and *C. upsaliensis* are also regarded as primary pathogens, but are generally reported far less frequently in cases of human disease.

The most common clinical symptoms of *Campylobacter* infections include diarrhoea (frequently with blood in the faeces), abdominal pain, fever, headache, nausea, and/or vomiting. The symptoms typically last three to six days.

TEST PRINCIPLE

CerTest *Campylobacter* is based on the principle of a qualitative immunochromatographic assay for the determination of *Campylobacter* in stool samples and *Campylobacter* suspected colonies in stool culture.

The strip consists of a nitrocellulose membrane pre-coated with mouse monoclonal antibodies on the test line (T), in the results window, against *Campylobacter* and with rabbit polyclonal antibodies, on the control line (C), against a specific protein. The label/sample absorbent pad is sprayed with test label solution (mouse monoclonal antibodies anti-*Campylobacter*) conjugated to red polystyrene latex and control label solution (specific binding protein) conjugated to green polystyrene latex, forming coloured conjugate complexes.

If the sample is positive, the antigens of the diluted sample react with the red-coloured conjugate complex (anti-*Campylobacter* monoclonal antibodies-red polystyrene microspheres) which was previously pre-dried on the absorbent pad. The mixture then moves upward on the membrane by capillary action. As the sample flows through the test membrane, the binding conjugate complexes migrate. The anti-*Campylobacter* antibodies present on the membrane (test line) capture the coloured conjugate and the red line will be visible. This band is used to interpret the result.

If the sample is negative, there is no *Campylobacter* antigens presence and yet, the antigens may be present in a concentration lower than the detection limit value, for which the reaction will not take place with the red-coloured conjugate complex. The anti-*Campylobacter* antibodies present on the membrane (test line) will not capture the antigen-red-coloured conjugate complex (not formed), for which the red line will not appear.

Whether the sample is positive or not, the mixture continues to move across the membrane to the immobilized specific antibodies placed in the control line. The anti-specific protein antibodies present on the membrane will capture control green-conjugate complex and the control line will always appear. The presence of this green line serves as: 1) verification that sufficient volume is added, 2) that proper flow is obtained and 3) an internal control for the reagents.

STORAGE AND STABILITY

Store as packaged in the sealed pouch at 2-30°C. The test is stable until the expiration date marked on its sealed pouch. The test must remain in the sealed pouch until use. Do not freeze.

PRECAUTIONS

- For professional *in vitro* diagnostic use.
- Do not use after expiration date.
- All the specimens should be considered potentially hazardous and handled in the same manner as an infectious agent. A new test must be used for each sample to avoid contamination errors.
- The tests should be discarded in a proper biohazard container after testing.
- Reagents contain preservatives. Avoid any contact with skin or mucous membrane. Consult safety data sheet, available on request.
- Components provide in the kit are approved for use in the CerTest *Campylobacter* test. Do not use any other commercial kit component.
- Follow Good Laboratory Practices, wear protective clothing, use disposal gloves, goggles and mask. Do not eat, drink or smoke in the working area.



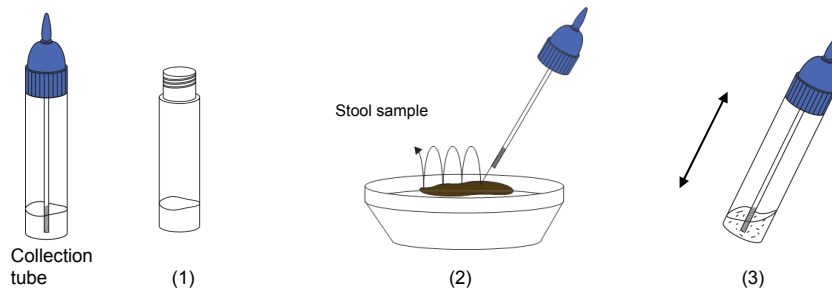
SPECIMEN COLLECTION AND PREPARATION

Stool samples

Stool samples should be collected in clean containers. The samples can be stored in the refrigerator (2-8°C) for 1-2 days prior to testing. For longer storage, maximum 1 year, the specimen must be kept frozen at -20°C. In this case, the sample will be totally thawed and brought to room temperature before testing. Homogenise stool samples as thoroughly as possible prior to preparation.

Specimen preparation (see illustration):

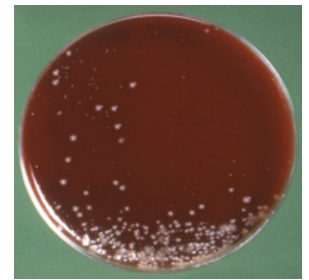
1. Take out the cap of the collection tube (1) and use the stick to pick up sufficient sample quantity. Then, introduce the stick once into 4 different parts of the stool sample (2), to collect faecal sample (approx. 125mg) and add it to the collection tube. For liquid samples, add approx. 125µL in the collection tube using a micropipette.
2. Close the tube with the diluent and stool sample. Shake the tube in order to assure good sample dispersion (3).



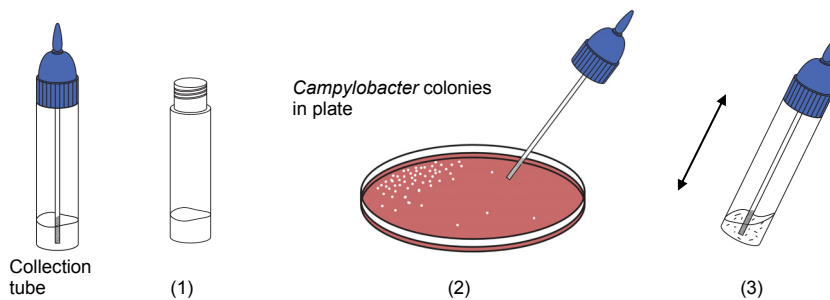
Suspected *Campylobacter* colonies in stool culture

The Butzler or Skirrow media with antibiotics are the methods of choice for the isolation of *Campylobacter* (microaerobic atmosphere, 48 hours/42°C). After 48 hours of incubation in Butzler or Skirrow media the typical *Campylobacter* colonies will be flat, moist, grey-white colonies with irregular spreading margins.

1. Examine Butzler or Skirrow plates after 2 days incubation. Select *Campylobacter* typical colonies. Take out the cap of the collection tube (1). Use the stick or an inoculating needle to pick up 3 or 4 suspected *Campylobacter* colonies (2) and add them to the collection tube.
2. Close the tube with the diluent and suspected colonies. Shake the tube in order to assure good sample dispersion (3).



Campylobacter colonies in Butzler or Skirrow media



MATERIALS

MATERIALS PROVIDED

- CerTest *Campylobacter* card tests
- Instructions for use
- Collection tubes with diluent

MATERIALS REQUIRED BUT NO PROVIDED

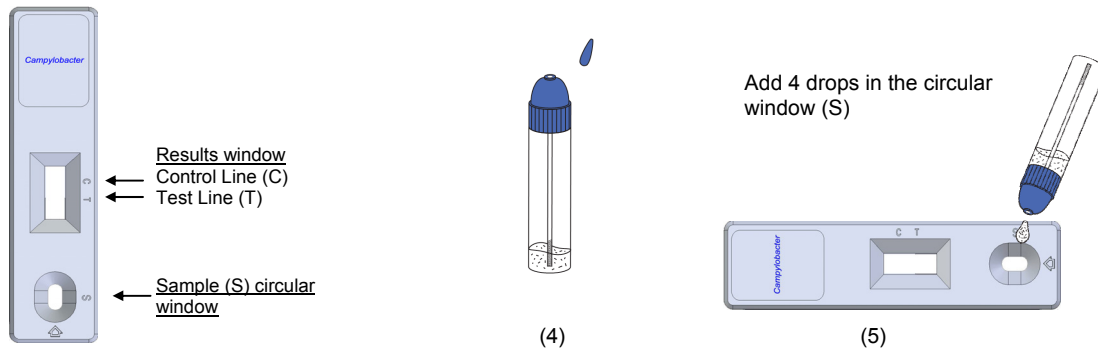
- Specimen collection container
- Disposable gloves
- Timer
- Butzler media/Skirrow media

TEST PROCEDURE

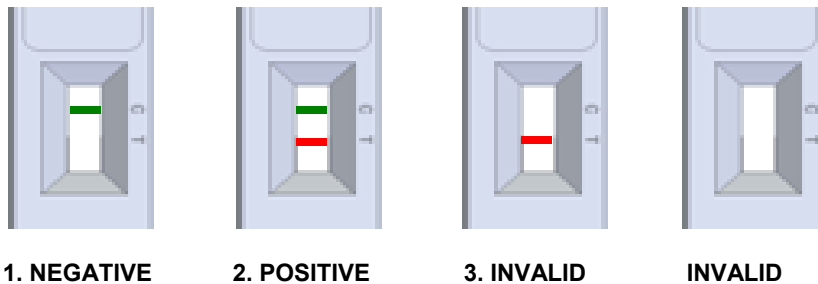
Allow tests, samples and controls to reach room temperature (15-30°C) prior to testing. Do not open pouches until the performance of the assay.

1. Proceed to shake the collection tube in order to assure good sample dispersion.
2. Remove the CerTest *Campylobacter* card test from its sealed bag just before using it.
3. Take the collection tube, cut the end of the cap (4) and dispense 4 drops in the circular window marked with the letter S (5). Avoid adding solid particles with the liquid.
4. **Read the results at 10 minutes.** Do not read the test result later than 10 minutes.

If the test does not run due to solid particles, stir the sample added in the sample window (S) with the stick. If it doesn't work, dispense a drop of diluent until seeing the liquid running through the reaction zone.



INTERPRETATION OF RESULTS (please refer to the illustration below)



	<i>Campylobacter</i>	Interpretation of the results
1.	- GREEN	There is no <i>Campylobacter</i> presence. No infection caused by <i>Campylobacter</i>
2.	+ GREEN-RED	There is <i>Campylobacter</i> presence. <i>Campylobacter</i> infection, include diarrhoea (frequently with blood in the faeces), abdominal pain, fever, headache, nausea and/or vomiting.
3.	Any other result	Invalid result, we recommend repeating the assay using the same sample with another test.

NEGATIVE: Only the GREEN line appears across the results window in the site marked with the letter C (control line).

POSITIVE: In addition to the GREEN control line, a RED line also appears in the site marked with the letter T (test line) in the results window.

INVALID: Total absence of the control coloured line (GREEN) regardless the appearance or not of the test line (RED). Insufficient specimen volume, incorrect procedural techniques or deterioration of the reagents are mostly the main reasons for control line failure. Review the procedure and repeat the assay with a new test. If the symptoms or situation still persist, discontinue using the test kit and contact your local distributor.



CERTEST *Campylobacter*

One Step test to detect *Campylobacter* in card format/
Prueba de un solo paso para detección de *Campylobacter*. en formato cassette

NOTES ON THE INTERPRETATION OF RESULTS

The intensity of the red coloured band in the test line (T) in the results window will vary depending on the concentration of antigens present in the specimen. However, neither the quantitative value nor the rate of increase in antigens can be determined by this qualitative test.

QUALITY CONTROL

Internal procedural control is included in the test. A green line appearing in the control line (C) in the results window is an internal control, which confirms sufficient specimen volume and correct procedural technique.

LIMITATIONS

1. The test must be carried out within 2 hours after opening the sealed bag.
2. An excess of sample could cause wrong results (brown bands appear). Dilute the sample with the diluent and repeat the test.
3. The intensity of test line may vary from very strong at high antigens concentrations to faint when the antigen concentration is closed to the detection limit value of the test.
4. CerTest *Campylobacter* should be used only with samples from human faeces. The use of other samples has not been established. The quality of the test depends on the quality of the sample; proper faecal specimens must be obtained.
5. Positive results determine the presence of *Campylobacter* in faecal samples; nevertheless, it can be due to several causes and/or species. A positive result should be followed up with additional laboratory techniques (biochemical and serological methods or by PCR) to confirm the results. A confirmed infection should only be made by a physician after all clinical and laboratory findings have been evaluated and must be based in the correlation of the results with further clinical observations.
6. A negative result is not meaningful because of it is possible the antigens concentration in the stool sample is lower than the detection limit value. If the symptoms or situation still persist, a *Campylobacter* determination should be carried out on a sample from an enrichment culture.

EXPECTED VALUES

Campylobacter are bacteria that are a major cause of diarrhoeal illness in humans and are generally regarded as the most common bacterial cause of gastroenteritis worldwide. In developed and developing countries, they cause more cases of diarrhoea than, for example, foodborne *Salmonella* bacteria. In developing countries, *Campylobacter* infections in children under the age of two years are especially frequent, sometimes resulting in death. In almost all developed countries, the incidence of human *Campylobacter* infections has been steadily increasing for several years. The reasons for this are unknown.

PERFORMANCE CHARACTERISTICS

Analytical sensitivity (detection limit)

Detection limit values for the different species are 1.07×10^5 CFU/mL for *Campylobacter jejuni* and 1.07×10^8 CFU/mL for *Campylobacter coli*.

Clinical sensitivity and specificity

An evaluation, with faecal samples, was performed comparing the results obtained by an immunochromatographic test (CerTest *Campylobacter*, CerTest) and another immunochromatographic test (ImmunoCard STAT! CAMPY, Meridian Bioscience). The samples were directly taken from patients suffering diarrhoea. The results were as follows:

		IC test: ImmunoCard STAT! CAMPY			
		+	-	Total	
IC test: CerTest <i>Campylobacter</i>	+	42	1	43	
	-	0	44	44	
Total		42	45	87	
		Sensitivity	Specificity	PPV	NPV
CerTest <i>Campylobacter</i> vs ImmunoCard STAT! CAMPY		>99%	98%	98%	>99%

The results showed a high sensitivity and specificity to detect *Campylobacter* using CerTest *Campylobacter*.





CERTEST *Campylobacter*

*One Step test to detect Campylobacter in card format/
Prueba de un solo paso para detección de Campylobacter en formato cassette*

Cross reactivity

An evaluation was performed to determine the cross reactivity of CerTest *Campylobacter*; no cross reactivity against gastrointestinal pathogens occasionally present in faeces:

<i>Escherichia coli</i> O157:H7	<i>Salmonella typhi</i>	<i>Shigella sonnei</i>
<i>Helicobacter pylori</i>	<i>Salmonella typhimurium</i>	<i>Staphylococcus aureus</i>
<i>Listeria monocytogenes</i>	<i>Shigella boydii</i>	<i>Yersinia enterocolitica</i>
<i>Salmonella enteritidis</i>	<i>Shigella dysenteriae</i>	
<i>Salmonella paratyphi</i>	<i>Shigella flexneri</i>	



ESPAÑOL

USO PREVISTO

CerTest *Campylobacter* card test es una prueba inmunocromatográfica de un solo paso para la detección cualitativa de *Campylobacter* en muestras de heces y de colonias sospechosas de *Campylobacter* en coprocultivo.

CerTest *Campylobacter* card test ofrece un ensayo de cribado sencillo y de alta sensibilidad para realizar un diagnóstico presuntivo de infección por *Campylobacter*. (campilobacteriosis) y podría ser utilizado para la identificación de aislados sospechosos de *Campylobacter* a partir de un medio selectivo (coprocultivo).

INTRODUCCIÓN

La Campilobacteriosis es una enfermedad causada por la presencia de *Campylobacter spp.* utiliza las siguientes vías de transmisión: feco-oral, contacto sexual persona a persona, ingestión de agua o alimento contaminado y la de carne cruda contaminada. El inicio de los síntomas normalmente ocurre entre dos y cinco días tras producirse la infección, pero puede durar entre uno y diez días.

Hay 16 especies y 6 subespecies asignadas para el género *Campylobacter*, de las cuales las más frecuentes implicadas en enfermedad en humanos son *C. jejuni* (subespecies *jejuni*) y *C. coli* (99% *C. jejuni*). *C. laridis* y *C. upsaliensis* son también reconocidas como patógenos primarios, pero son menos frecuentes en los casos de enfermedad en humanos.

Los síntomas clínicos más comunes de las infecciones por *Campylobacter* incluyen diarreas (frecuentemente aparece sangre en las heces), dolor abdominal, fiebre, dolor de cabeza, náuseas y/o vómitos. Estos síntomas normalmente duran entre tres a seis días.

FUNDAMENTO DEL TEST

CerTest *Campylobacter* es una prueba cualitativa inmunocromatográfica para la detección de *Campylobacter* en muestras de heces y de colonias sospechosas de *Campylobacter* en coprocultivo.

La membrana de nitrocelulosa ha sido fijada previamente con anticuerpos monoclonales de ratón frente a *Campylobacter* en la línea de test (T) en la ventana de resultados, y en la línea de control (C), con anticuerpos policlonales de conejo frente a una proteína específica. En el material absorbente para la muestra se ha dispensado una preparación de reactivos de la línea de test (anticuerpos monoclonales de ratón frente a *Campylobacter*) conjugada con látex de poliestireno rojo y otra preparación para la línea de control (proteína específica de unión) conjugada con látex de poliestireno verde, formando dos complejos coloreados conjugados.

Si la muestra es positiva, los antígenos de la muestra diluida reaccionan con el complejo conjugado coloreado rojo (anticuerpos monoclonales anti-*Campylobacter*-microesferas rojas de látex) el cual ha sido secado previamente en el material absorbente. Esta mezcla avanza por capilaridad a través de la membrana. Conforme la muestra va migrando también lo hacen los complejos conjugados. Los anticuerpos anti-*Campylobacter* presentes en la membrana (línea de test) capturarán el complejo coloreado del test y la línea roja aparecerá. Esta línea se usará para la interpretación del resultado.

Si la muestra es negativa, no presenta antígenos de *Campylobacter* o los antígenos están presentes en una concentración inferior al límite de detección y no se produce reacción con el complejo coloreado rojo. Los anticuerpos anti-*Campylobacter* presentes en la membrana (línea de test) no capturarán el antígeno-complejo coloreado rojo (no formado) y no aparecerá la línea roja.

Independientemente de que la muestra sea positiva o no, la mezcla continuará moviéndose a través de la membrana hacia los anticuerpos inmovilizados frente a la proteína específica localizados en la línea de control. Estos anticuerpos anti-proteína específica presentes en la membrana capturarán el complejo conjugado de control y la línea de control verde siempre aparecerá. La aparición de esta línea se utiliza: 1) para verificar que se ha añadido el volumen de muestra suficiente, 2) que el flujo ha sido apropiado y 3) como control interno de los reactivos.

CONDICIONES DE ALMACENAMIENTO

El producto debe ser almacenado entre 2 y 30°C en su envase original sellado, para conseguir un óptimo funcionamiento hasta la fecha de caducidad impresa en el envase. No debe abrirse hasta el momento de su uso. No congelar.

PRECAUCIONES

- Sólo para uso profesional *in vitro*.
- No utilizar después de la fecha de caducidad.
- Las muestras se deben considerar potencialmente peligrosas y deben ser manipuladas de la misma forma que a un agente infeccioso. Un nuevo test deberá utilizarse para cada muestra para evitar errores de contaminación.
- Los tests usados deben ser gestionados como residuos sanitarios (contenedor de residuos sanitarios).
- Los reactivos contienen conservantes. Debe evitarse cualquier contacto con la piel o las mucosas. Consultar fichas de seguridad, disponibles bajo petición.

- Los componentes proporcionados con el kit son aprobados para su uso con CerTest *Campylobacter* test. No se deben usar con componentes de otros kits comercializados.
- Seguir las Buenas Prácticas de Laboratorio, llevar ropa de protección adecuada, usar guantes desechables, gafas de protección y mascarilla. No comer, ni beber o fumar en la zona de trabajo.

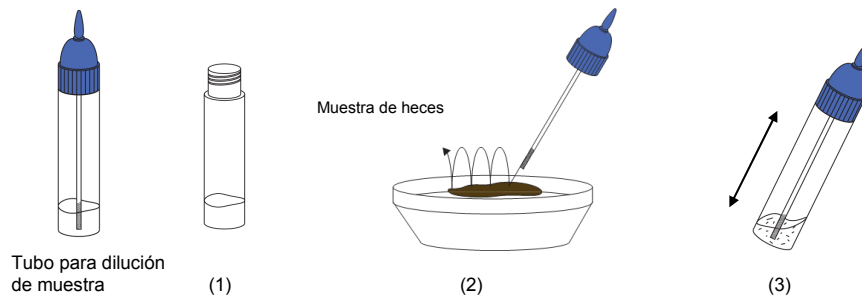
RECOGIDA DE MUESTRAS Y PREPARACIÓN

Muestras de heces

Las muestras de heces deben ser recogidas en un recipiente limpio. Las muestras se deben conservar en frío (2-8°C), máximo durante 1-2 días, hasta el momento de utilizarlas. Para conservar las muestras durante un tiempo prolongado, como máximo 1 año, deben mantenerse congeladas a -20°C. En este caso, la muestra debe descongelarse totalmente y alcanzar la temperatura ambiente para poder utilizarla en la prueba. Homogeneizar la muestra vigorosamente antes de su preparación.

Preparación de la muestra (ver dibujo):

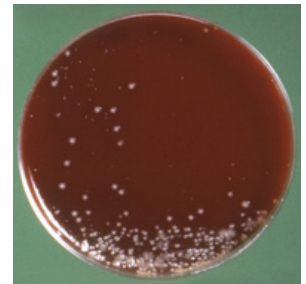
1. Abrir el tubo para dilución de muestra (1) y con ayuda del palito tomar suficiente cantidad de muestra de las heces recogidas. Para ello se introducirá el palito una sola vez en 4 zonas distintas de la muestra (2), tomando una cantidad de heces (aprox. 125mg) y posteriormente se introducirá la muestra en el tubo para dilución de muestra. Para muestras líquidas, añada aprox. 125µL en el tubo para dilución de muestra utilizando una micropipeta.
2. Cerrar el tubo que contiene la muestra y el diluyente. Agitarlo para facilitar la dispersión de la muestra (3).



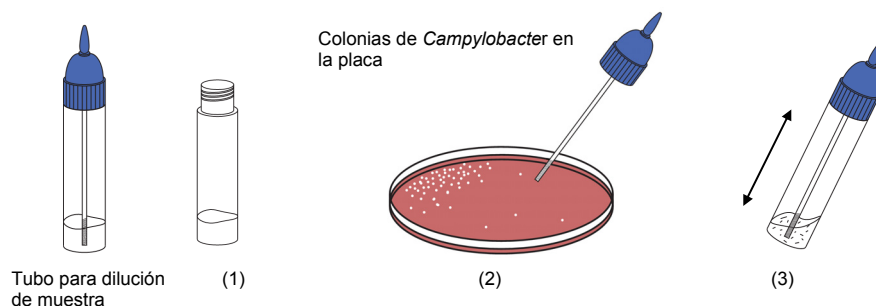
Colonias sospechosas de *Campylobacter* en coprocultivo

Los medios Butzler o Skirrow (para coprocultivo) con antibióticos son los métodos de elección para el aislamiento de *Campylobacter* (atmósfera microaeróbica, 48 horas/42°C). Tras 48 horas de incubación en medio Butzler o Skirrow aparecerán las típicas colonias de *Campylobacter* planas y de aspecto acuoso, de color blanco grisáceo y con márgenes irregulares.

1. Examinar las placas de Butzler o Skirrow tras 2 días de incubación. Seleccionar colonias típicas de *Campylobacter*. Abrir el tubo para dilución de muestra (1). Usar el palito o una aguja de siembra para "picar" en 3 ó 4 colonias sospechosas de *Campylobacter* (2) y añadir al tubo para dilución de muestra.
2. Cerrar el tubo con el diluyente y con las colonias sospechosas. Agitarlo para facilitar la dispersión de la muestra (3).



Colonias de *Campylobacter* en Medio Butzler o Skirrow



MATERIALES

MATERIALES SUMINISTRADOS

- CerTest *Campylobacter* card tests
- Instrucciones de uso
- Tubos para dilución de muestra con diluyente

MATERIALES NECESARIOS NO SUMINISTRADOS

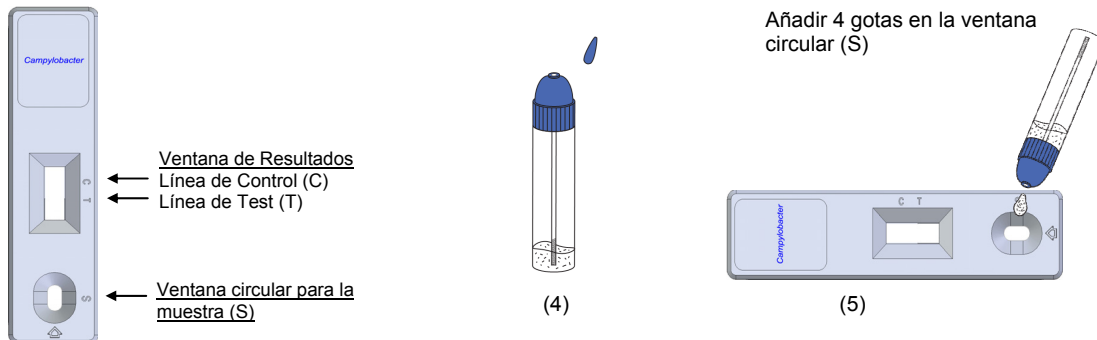
- Recipiente para recogida de muestras
- Guantes desechables
- Cronómetro
- Medio Butzler/ Medio Skirrow

PROCEDIMIENTO

Previamente los tests, las muestras y los controles se deben acondicionar a la temperatura ambiente (15-30°C). No abrir los envases hasta el momento de la prueba.

1. Agitar el tubo para dilución de la muestra para asegurar una buena dispersión.
2. Sacar el test CerTest *Campylobacter* de su envase antes de utilizarlo.
3. Tomar el tubo para dilución de la muestra, cortar la punta del tapón (4) y añadir 4 gotas del líquido en la ventana circular marcada con la letra S (5), evitando añadir partículas sólidas con el líquido.
4. **Leer el resultado a los 10 minutos.** No leer el resultado superados los 10 minutos.

Si se da el caso de que el test no funciona debido a la presencia de partículas sólidas, agitar con el palito la muestra en la ventana (S). Si no funciona, añadir una gota de diluyente hasta que se vea avanzar el líquido por la zona de resultados.



INTERPRETACIÓN DE RESULTADOS (Por favor, fíjese en el siguiente dibujo)



	<i>Campylobacter</i>	Interpretación de resultados
1.	- VERDE	No hay presencia de <i>Campylobacter</i> . No hay infección causada por <i>Campylobacter</i> .
2.	+ VERDE-ROJO	Hay presencia de <i>Campylobacter</i> . Infección por <i>Campylobacter</i> incluye diarrea (frecuentemente aparece sangre en las heces), dolor abdominal, fiebre, dolor de cabeza, náuseas y/o vómitos.
3.	Cualquier otro resultado	Resultado inválido, se recomienda repetir la prueba con la misma muestra y otro test.

NEGATIVO: Una sola línea de color VERDE aparece en la ventana de resultados del test, en la zona marcada con la letra C (línea de control).

POSITIVO: Además de la línea de control VERDE, también aparece una línea ROJA en la zona marcada con la letra T (línea de test) en la ventana de resultados.

INVÁLIDO: Cuando la línea de control (VERDE) no aparece, independientemente de que aparezca o no la línea de test (ROJA). Las causas más comunes por las que puede aparecer un resultado inválido son: un volumen insuficiente de muestra, una forma de proceder incorrecta o un deterioro de los reactivos. Si ocurriera esto, debe revisarse el procedimiento y repetir la prueba con un nuevo test. Si los síntomas o la situación persisten, debe dejar de utilizar la prueba y contactar con su distribuidor.

OBSERVACIONES

La intensidad de la línea de color rojo en la línea de test (T) en la ventana de resultados variará dependiendo de la concentración de antígenos presentes en la muestra. Sin embargo, esta prueba es cualitativa, por lo que, ni la cantidad ni la tasa de aumento de antígenos pueden ser determinados por la misma.

CONTROL DE CALIDAD

El control interno de funcionamiento viene incluido en la prueba. La línea verde que aparece en la zona de la línea de control (C) en la ventana de resultados es el control interno del proceso, comprobando que el volumen de muestra es suficiente y que el procedimiento seguido ha sido el adecuado.

LIMITACIONES

1. Una vez abierto, el dispositivo no debe usarse después de 2 horas.
2. Un exceso de muestra de heces puede dar resultados erróneos, dando líneas no muy definidas de color pardo, que no tienen ningún valor diagnóstico. Diluir la muestra con el diluyente y repetir el test.
3. La intensidad de la línea del test puede variar desde muy fuerte a altas concentraciones de antígenos a débil cuando la concentración de antígenos está cerca del valor del límite de detección del test.
4. CerTest *Campylobacter* debería utilizarse sólo con muestras de heces humanas. El uso de otras muestras no ha sido determinado. La calidad del test depende de la calidad de la muestra; por lo que se debe realizar una adecuada toma de muestras fecales.
5. Los resultados positivos determinan la presencia de *Campylobacter* en muestras de heces; sin embargo, ésta puede ser debida a varias causas y/o especies. Un resultado positivo debería ser contrastado con otras técnicas de laboratorio (métodos bioquímicos y serológicos o por PCR) para confirmar los resultados. La infección debe confirmarse por un especialista o médico cualificado, tras evaluar las pruebas clínicas y los hallazgos de laboratorio teniendo en cuenta la correlación que puede existir con todas las observaciones clínicas.
6. Un resultado negativo no se debe considerar como concluyente, puede darse que la concentración de antígenos en la muestra de heces sea inferior al valor del límite de detección. Si los síntomas o la situación persisten, para la determinación de *Campylobacter*, se debería repetir la prueba con la muestra previamente sometida a enriquecimiento.

VALORES ESPERADOS

Campylobacter son bacterias que suelen ser la causa más frecuente de diarrea en humanos y son generalmente consideradas como la causa más común de las gastroenteritis del mundo. Tanto en países en desarrollo como en países desarrollados provocan más casos de diarrea que, por ejemplo, *Salmonella*. En países en desarrollo, las infecciones por *Campylobacter* en niños de menos de dos años son muy frecuentes, en ocasiones provocando su muerte. En casi todos los países desarrollados ha aumentado de forma regular la incidencia de infecciones por *Campylobacter* durante varios años. Las razones todavía se desconocen.

CARACTERÍSTICAS DEL TEST

Sensibilidad analítica (límite de detección)

Los límites de detección para las distintas especies son 1.07×10^6 UFC/mL para *Campylobacter jejuni* y 1.07×10^8 UFC/mL para *Campylobacter coli*.

Sensibilidad y especificidad clínica

Se llevó a cabo una evaluación, con muestras de heces, comparando los resultados obtenidos por un test inmunocromatográfico (CerTest *Campylobacter*, CerTest) y otro test inmunocromatográfico (ImmunoCard STAT! CAMPY, Meridian Bioscience). Las muestras provenían de pacientes con diarrea. Los resultados se muestran a continuación:

CERTEST *Campylobacter*

One Step test to detect *Campylobacter* in card format/
Prueba de un solo paso para detección de *Campylobacter* en formato cassette

		IC test: ImmunoCard STAT! CAMPY		
		+	-	Total
IC test: CerTest <i>Campylobacter</i>	+	42	1	43
	-	0	44	44
Total		42	45	87

	Sensibilidad	Especificidad	VPP	VPN
CerTest <i>Campylobacter</i> vs ImmunoCard STAT! CAMPY	>99%	98%	98%	>99%

Los resultados mostraron que CerTest *Campylobacter* presenta una alta sensibilidad y especificidad para detectar *Campylobacter*.

Reacciones cruzadas

Se realizó una evaluación para determinar posibles reacciones cruzadas de CerTest *Campylobacter*; no se detectó reacción cruzada con patógenos gastrointestinales ocasionalmente presentes en las heces:

<i>Escherichia coli</i> O157:H7	<i>Salmonella typhi</i>	<i>Shigella sonnei</i>
<i>Helicobacter pylori</i>	<i>Salmonella typhimurium</i>	<i>Staphylococcus aureus</i>
<i>Listeria monocytogenes</i>	<i>Shigella boydii</i>	<i>Yersinia enterocolitica</i>
<i>Salmonella enteritidis</i>	<i>Shigella dysenteriae</i>	
<i>Salmonella paratyphi</i>	<i>Shigella flexneri</i>	

REFERENCES/BIBLIOGRAFÍA

1. Fernández, H. and Farace, M.I. "Manual de Procedimientos *Campylobacter*". INEI. 2003.
2. Kawatsu, K. et al. "Development and Evaluation of Immunochromatographic Assay for Simple and Rapid Detection of *Campylobacter jejuni* and *Campylobacter coli* in Human Stool Specimens". Journal of Clinical Microbiology Apr. 2008 Vol 46, No. 4, p. 1226-1231.

SYMBOLS FOR IVD COMPONENTS AND REAGENTS/SÍMBOLOS PARA REACTIVOS Y PRODUCTOS PARA DIAGNÓSTICO IN VITRO

IVD	<i>In vitro</i> diagnostic device Producto para diagnóstico <i>in vitro</i>	Keep dry Almacenar en lugar seco	Use by Fecha de caducidad	Manufacturer Fabricante	LOT	Batch code Número de lote
Consult instructions for use Consultar las instrucciones de uso	Temperature limitation Limitación de temperatura	Contains sufficient for <n> test Contiene <n> test	DIL	Sample diluent Diluyente de muestra	REF	Catalogue number Número de referencia



CerTest
BIOTEC S.L.

Pol. Industrial Río Gállego II, Calle J, Nº 1,
50840, San Mateo de Gállego, Zaragoza (SPAIN)
www.certest.es

